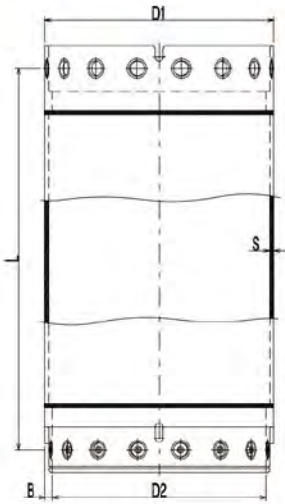


Casing Tube



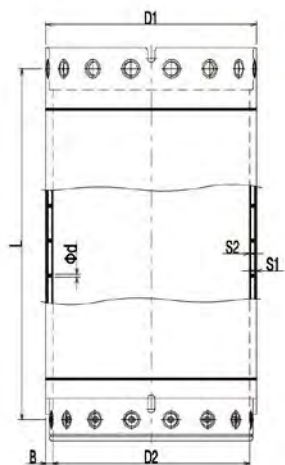
Single Wall Casing



D1 / D2	S	B	Weight (kg) per Working Length (L)							
			1m	2m	3m	4m	5m	6m	5m	
600 / 520	20	40	380	672	993	1,255	1,546	1,838	2,421	
700 / 620	20	40	447	789	1,131	1,473	1,815	2,157	2,841	
800 / 720	20	40	514	906	1,298	1,690	2,082	2,474	3,258	
900 / 820	20	40	580	1,022	1,464	1,906	2,348	2,790	3,674	
1,000 / 920	20	40	640	1,133	1,626	2,119	2,612	3,105	4,091	
1,080 / 1,000	20	40	690	1,190	1,720	2,260	2,820	3,350	4,420	
1,200 / 1,120	25	40	860	1,600	2,340	3,080	3,820	4,560	6,030	
1,500 / 1,400	25	50	1,440	2,370	3,300	4,230	5,160	6,090	7,950	
1,800 / 1,700	25	50	1,720	2,830	3,950	5,070	6,190	7,310	9,550	
1,800 / 1,680	25	60	1,837	2,932	4,026	5,120	6,215	7,309	9,498	
2,000 / 1,880	25	60	2,190	3,430	4,670	5,910	7,150	8,390	10,870	
2,200 / 2,080	25	60	2,410	3,780	5,140	6,510	7,880	9,250	11,990	
2,500 / 2,380	30	60	2,810	4,670	6,530	8,400	10,270	12,140	15,880	
2,800 / 2,640	35	80	3,929	6,488	9,047	11,606	14,166	16,725	21,843	
3,000 / 2,840	35	80	4,147	6,706	9,265	11,824	14,384	16,943	22,061	

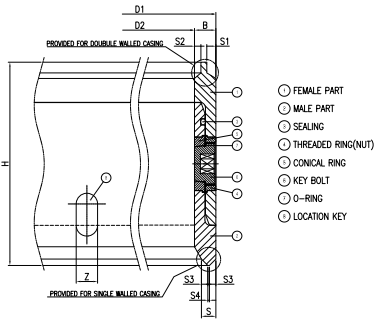


Double Wall Casing



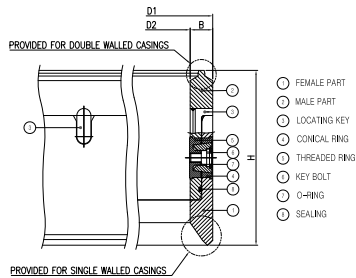
D1 / D2	S1	S2	D	B	Longitudinal Bars [Q'ty]	Weight (kg) per Working Length (L)							
						1m	2m	3m	4m	5m	6m	5m	
600 / 520	15	10	13	40	18	433	805	1,177	1,549	1,921	2,293	3,037	
700 / 620	15	10	13	40	20	509	945	1,381	1,817	2,253	2,689	3,561	
800 / 720	15	10	13	40	24	587	1,090	1,593	2,096	2,599	3,102	4,108	
900 / 820	15	10	13	40	26	653	1,206	1,759	2,312	2,865	3,418	4,524	
1,000 / 920	15	10	13	40	30	724	1,343	1,962	2,581	3,200	3,819	5,057	
1,080 / 1,000	15	10	13	40	32	790	1,440	2,155	2,845	3,530	4,210	5,570	
1,200 / 1,120	15	10	13	40	36	870	1,620	2,365	3,120	3,870	4,610	6,110	
1,500 / 1,400	20	15	13	50	45	1,485	2,520	3,555	4,590	5,625	6,660	8,735	
1,800 / 1,700	20	15	13	50	55	1,910	3,505	5,085	6,675	8,270	9,865	13,055	
1,800 / 1,680	20	20	18	60	55	2,251	4,600	6,670	9,635	11,920	14,205	18,775	
2,000 / 1,880	20	20	18	60	60	2,530	4,600	6,670	8,730	10,800	12,870	17,010	
2,200 / 2,080	20	20	18	60	66	2,785	5,065	7,350	9,635	11,920	14,205	18,775	
2,500 / 2,380	20	20	18	60	76	3,105	5,710	8,315	10,920	13,525	16,130	21,340	
2,800 / 2,640	25	25	27	80	86	4,530	8,335	12,135	15,945	19,755	23,565	31,185	
3,000 / 2,840	25	25	27	80	90	4,940	9,015	13,090	17,170	21,250	25,330	33,490	

Casing Joint



General Type

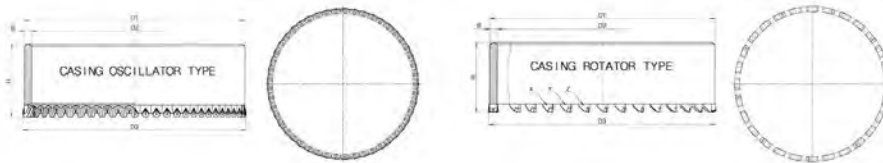
D1 / D2	H	B	Conical Ring		Threaded Ring		Bolt		Locating Key		Sealing [mm]	Weight [kg]
			Q'ty	Type	Q'ty	Type	Q'ty	Type	Q'ty	Type		
700 / 620	380	40	8	CN60	8	TN60	8	M80	4	40	10x610	221
900 / 820	380	40	10	CN80	10	TN80	10	M80	4	40	10x785	287
1,000 / 920	380	40	10	CN80	10	TN80	10	M80	4	40	10x900	321
1,200 / 1,120	380	40	12	CN110	12	TN110	12	M80	4	40	12x1,075	388
1,300 / 1,220	380	40	12	CN110	12	TN110	12	M80	4	40	12x1,200	421
1,500 / 1,400	580	50	16	CN150	16	TN150	16	M90	4	50	12x1,370	927
1,800 / 1,700	580	50	20	CN150	20	TN150	20	M90	4	50	12x1,670	1,119
2,000 / 1,880	580	60	20	CN200	20	TN200	20	M100	4	50	12x1,860	1414



Heavy Duty Type

D1 / D2	H	B	Conical Ring		Threaded Ring		Bolt		Locating Key		Sealing [mm]	Weight [kg]
			Q'ty	Type	Q'ty	Type	Q'ty	Type	Q'ty	Type		
1,500 / 1,400	625	50	16	165	16	T165	16	B42	4	50	10x1,370	965
1,800 / 1,700	625	50	20	165	20	T165	20	B42	4	50	10x1,670	1,185
1,800 / 1,680	625	60	20	220	20	T220	20	B48	4	50	10x1,650	1,385
2,000 / 1,880	625	60	20	220	20	T220	20	B48	4	50	12x1,860	1,540
2,200 / 2,080	625	60	20	220	20	T220	20	B48	4	50	12x2,050	1,700
2,500 / 2,380	625	60	20	220	20	T220	20	B48	4	50	12x2,300	1,885
2,800 / 2,640	625	80	24	300	24	T300	24	B65	6	50	12x2,600	2,900
3,000 / 2,840	625	80	24	C300	24	T300	24	B65	6	50	12x2,800	3,110

Casing Shoe & Shoe Bit



Pocket Assembling



Welding Assembling



Rock Drilling



Pocket Assembling



Welding Assembling

Tremie Pipe



BUMA provides various types of Tremie Pipe according to Pipe internal diameter NW200 (183 mm), NW250 (254 mm) & NW300 (302 mm).

We also manufacture a complete set of tremie equipment such as hopper, lifting eye, suspension platform and Tremie Rack.